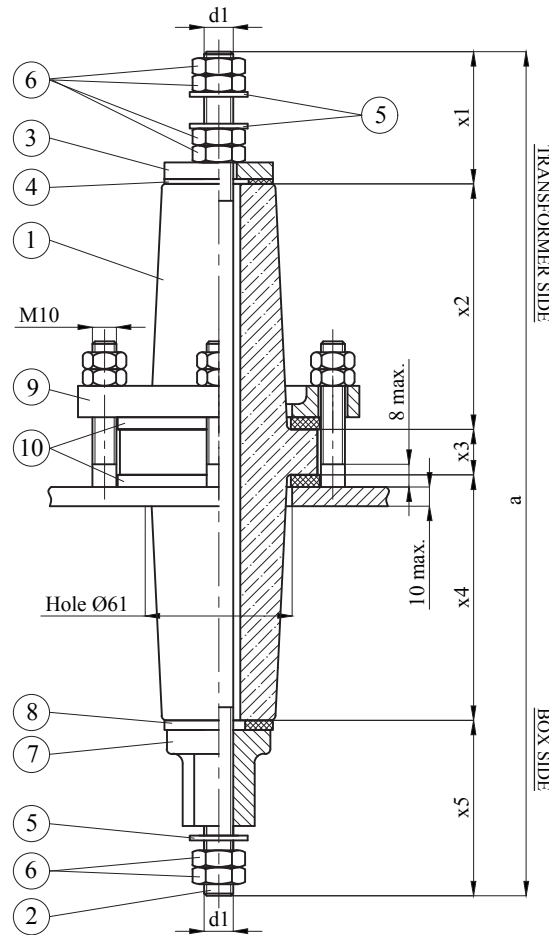
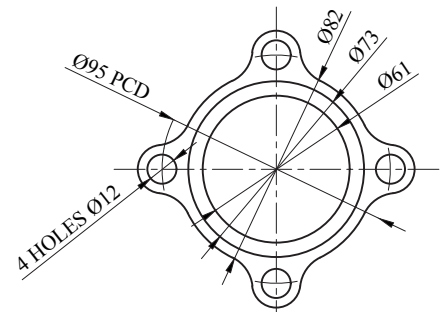


**CB1M Cable Box Bushing  
BS 2562 250 A - 400 A**


POS.	PCS.	DESCRIPTION
10	2	Flange Gasket
9	1	Fixing Ring (Aluminium)
	1	Fixing Ring (Brass)
8	1	Gasket
7	1	Brass Closing Piece
6	6	Brass Lock Nut DIN 936
5	3	Brass Washer DIN 125
4	1	Gasket
3	1	Brass Locking Plate
2	1	Copper Stem
1	1	Porcelain

Insulation Levels acc. to IEC 60137:2017		
1	Lightning Impulse Withstand Voltage (BIL) (kV)	75
2	Creepage Distance (mm)	100



"Fixing Ring Details"

\*\*\*All dimensions are "mm"

Type	Description	a	d1	x1	x2	x3	x4	x5	Weight (-kg)
12 / 250A	Fixing Ring (Brass)	351	M12x1,75	55	102	19	102	73	2.1
	Fixing Ring (Aluminium)								
12 / 400A	Fixing Ring (Aluminium)	351	M16x2	55	102	19	102	73	2.3