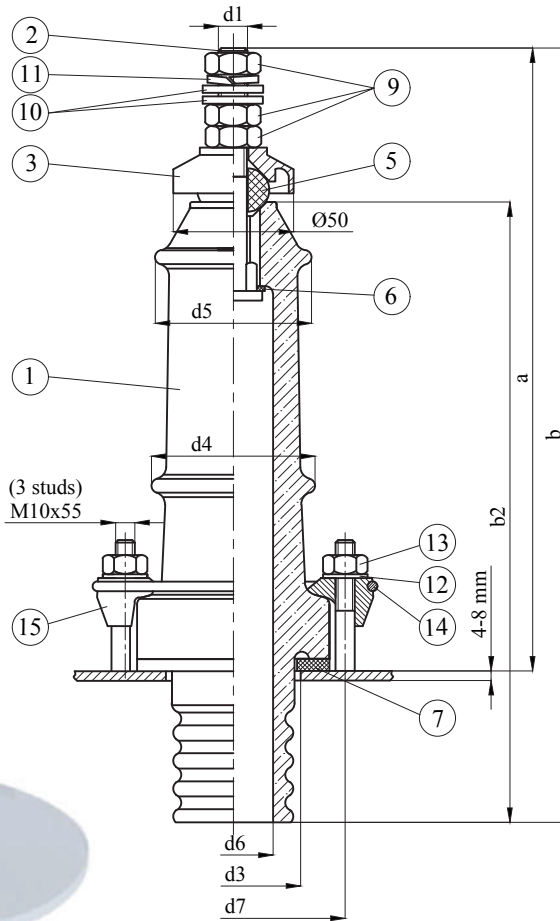
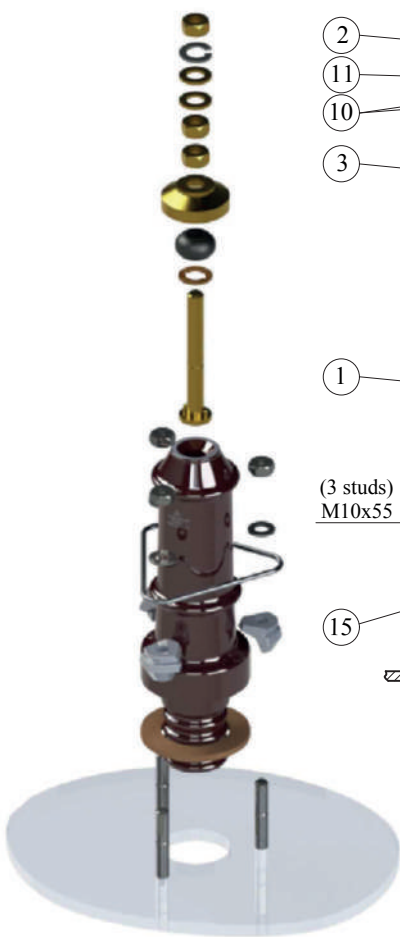
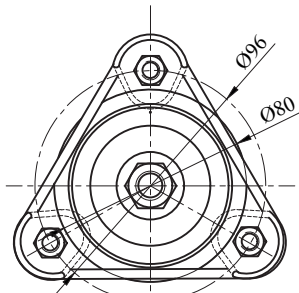


17,5 kV 250 A
Heat Shrinkable Bushing / Indoor Type

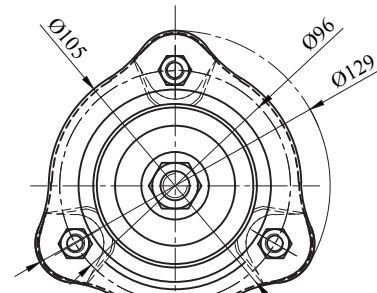


Insulation Levels acc. to IEC 60137:2017		
1	Highest Voltage (kV)	17,5
2	Rated Current (A)	250
3	Lightning Impulse Withstand Voltage (BIL) (kV)	95
4	Power Frequency Withstand Voltage (kV)	dry 42 wet 38
5	Creepage Distance (mm)	170
6	Rated Thermal Short-time Current (2s) (kA)	4,42
7	Rated Dynamic Current (kA)	15,63
8	Minimum Cantilever Withstand Load (N)	1000

POS.	PCS.	DESCRIPTION
15	3	Fastener Fastener DIN 42538
14	1	Clamping Ring Fixing Flange
13	3	Nut DIN 934
12	3	Washer DIN 125
11	1	Washer DIN 127
10	2	Brass Washer DIN 125
9	3	Brass Nut DIN 934
7	1	Gasket
6	1	IT Gasket
5	1	O-Ring
3	1	Brass Cap
2	1	Brass Bolt
1	1	Porcelain



"Clamping Ring Details"

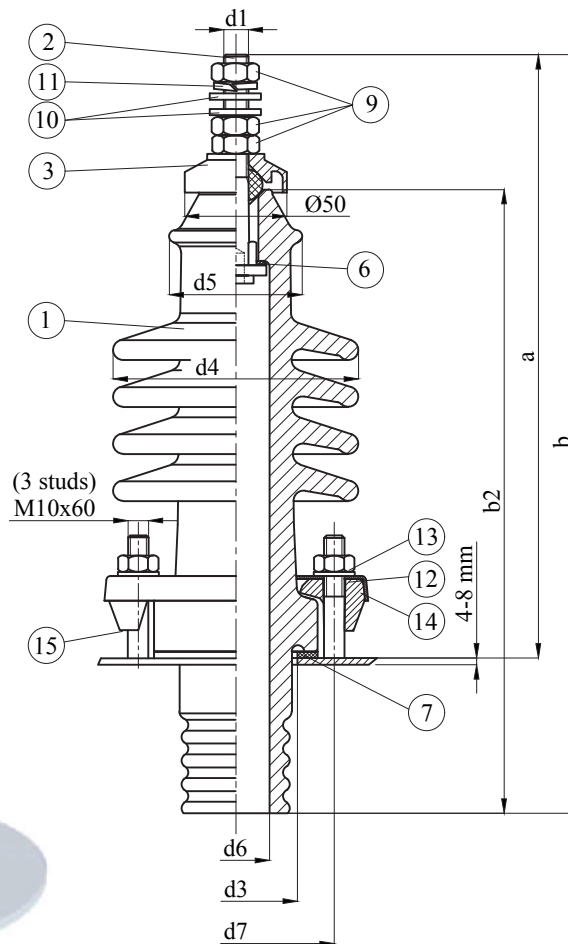


"Fixing Flange Details"

n° 3 fixing studs steel M10x55 (not supplied with the kit) Bolt circle 96 mm
***All dimensions are "mm"

Type	Description	a	b	b2	d1	d3	d4	d5	d6 mm	d7	Weight (-kg)
10NI/250A	Clamping Ring Type	260	325	258	M12x1,75	56	68	65	33	96	1.6
10NI/250A	Fixing Flange Type										1.7

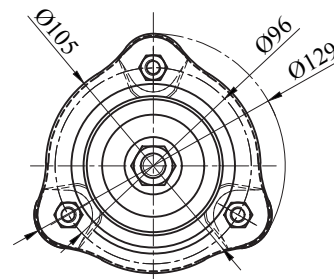
17,5 kV 250 A
Heat Shrinkable Bushing / Indoor Type



Insulation Levels acc. to IEC 60137:2017

POS.	PCS.	DESCRIPTION
1		Highest Voltage (kV) 17,5
2		Rated Current (A) 250
3		Lighting Impulse Withstand Voltage (BIL) (kV) 95
4		Power Frequency Withstand Voltage (kV) dry 42 wet 38
5		Creepage Distance (mm) 400
6		Rated Thermal Short-time Current (2s) (kA) 4,42
7		Rated Dynamic Current (kA) 15,63
8		Minimum Cantilever Withstand Load (N) 1000

POS.	PCS.	DESCRIPTION
15	3	Alu-Clamping
14	1	Fixing Ring
13	3	Nut DIN 934
12	3	Washer DIN 125
11	1	Spring Washer DIN 127
10	2	Brass Washer DIN 125
9	3	Brass Nut DIN 934
7	1	Gasket
6	1	IT Gasket
5	1	O-Ring
3	1	Brass Cap
2	1	Brass Bolt
1	1	Porcelain



"Fixing Flange Details"

n* 3 fixing studs steel M10x60 (not supplied with the kit) Bolt circle 96 mm
***All dimensions are "mm"

Type	a	b	b2	d1	d3	d4	d5	d6 min	d7	Weight (-kg)
17,5 kV / 250A 400mm	300	370	305	M12x1,75	60	120	65	33	96	2.7