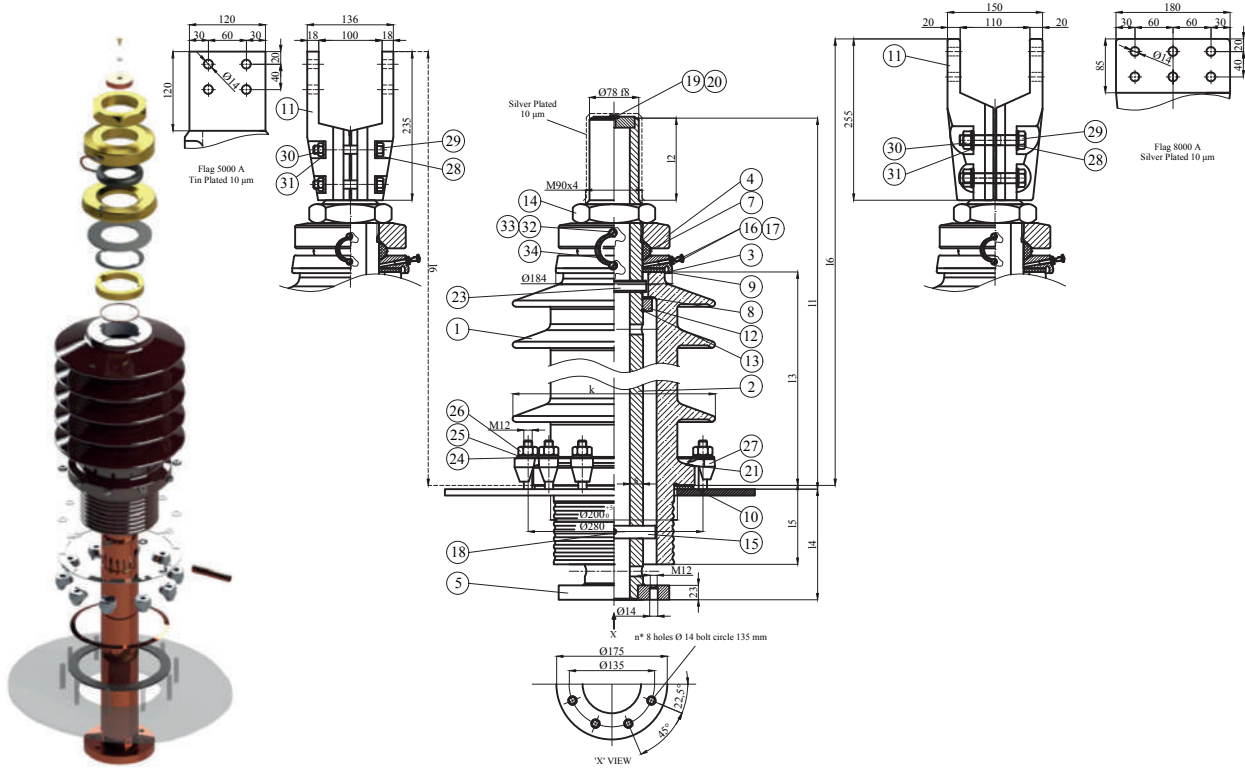




## 24 kV 5000 A - 8000 A EN 50243 Transformer Bushings



Insulation Levels acc. to IEC 60137:2017		
1	Highest Voltage (kV)	24
2	Rated Current (A)	5000 A / 8000A
3	Lightning Impulse Withstand Voltage (BIL) (kV)	125
4	Power Frequency Withstand Voltage (kV)	dry 55 wet 50
6	Rated Thermal Short-time Current (2s) (kA)	70,71
7	Rated Dynamic Current (kA)	250
8	Minimum Cantilever Withstand Load (N)	3150

\*\*\*All dimensions are "mm"  
n° 10 fixing studs steel M12x75 (not supplied with the kit) Bolt circle 280 mm

Type / Creepage Distance [mm]	Voltage kV	Current A	I1	I2 min	I3	I4 max	I5 max	I6	s	k
24 - 5 / P2 / 480	24	5000	540	100	320	150	100	678	16	285
24 - 8 / P2 / 480		8000	570	130				698	21	285
24 - 5 / P4 / 744		5000	635	100	415	175	125	770	16	320
24 - 8 / P4 / 744		8000	665	130				800	21	320

24 kV 5000 - 8000 A  
EN 50243 Transformer Bushings

34	1	Connection		
33	2	M6 Screw		
32	2	Washer		
31	4	Spring Washer M16 (for 8000A)	DIN 127	
		Spring Washer M12 (for 5000A)		
30	4	Nut M16 (for 8000A)	DIN 934	
		Nut M12 (for 5000A)		
29	4	Screw M16x90 (for 8000A)	DIN 933	
		Screw M12x75 (for 5000A)		
28	4	Washer M16 (for 8000A)	DIN 125	
		Washer M12 (for 5000A)		
27	10	Alu-Clamping	EN 50243	
26	10	Nut M12	DIN 934	
25	10	Washer M12	DIN 125	
24	1	Fixing Ring	EN 50243	
23	1	Stopper Device		
21	1	Copper Spacer Ring	EN 50243	
20	1	Gasket		
19	1	Grain M6		
18	2	Set Screw	DIN 553 (M8x15)	
17	1	Washer	DIN 125	
16	1	Brass Screw	DIN 42533	
14	1	Brass Nut M90x4	EN 50243	
13	1	Copper Stop Ring		
12	1	Pressure Ring	EN 50243	
11	2	Brass Flag (Silver Plated) (for 8000A)		
	2	Brass Flag (Tin Plated) (for 5000A)		
10	1	Flange Gasket	EN 50243	
9	1	Plain Gasket	EN 50243	
8	1	Internal Gasket	EN 50243	
7	1	Sealing Ring Gasket	EN 50243	
5	1	Copper Closing Piece	EN 50243	
4	1	Brass Disc	EN 50243	
3	1	Brass Cap	EN 50243	
2	-	1	Connecting Bolt	24 - 8 / P4
	-	1		24 - 5 / P4
	1	-		24 - 8 / P2
	1	-		24 - 5 / P2
1	-	1	Porcelain	24 - 8 / P4
	-	1		24 - 5 / P4
	1	-		24 - 8 / P2
	1	-		24 - 5 / P2
POS.	PCS	NAME OF THE MATERIAL	DESCRIPTION	