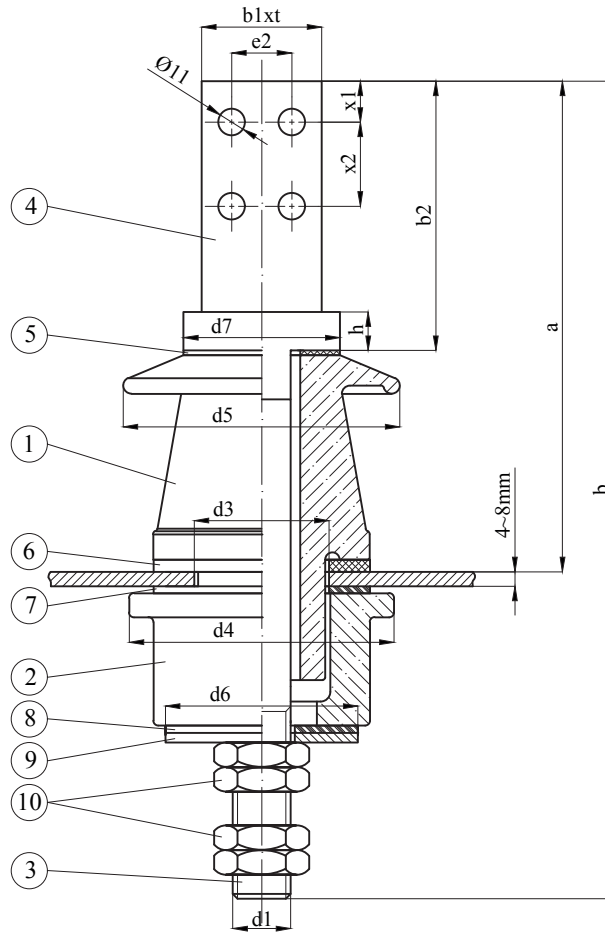


3 kV 850 A
Flat Bar Bushing



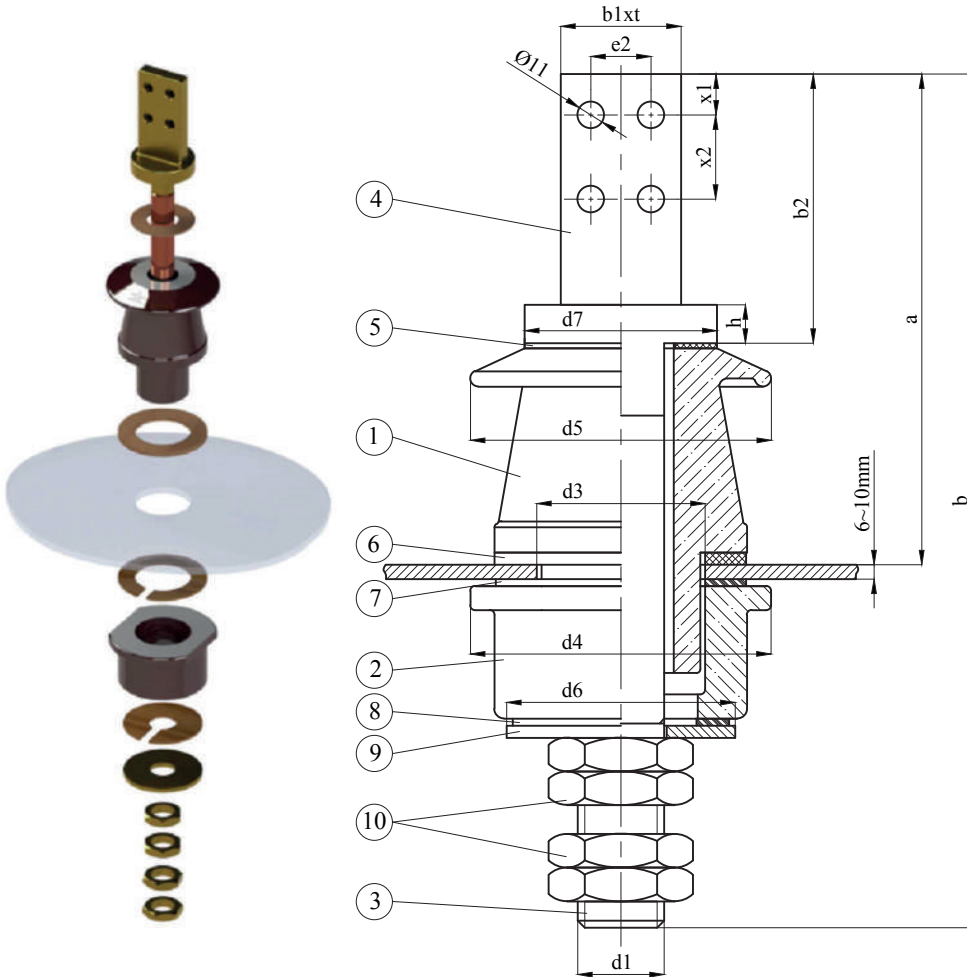
Insulation Levels acc. to IEC 60137:2017		
1	Highest Voltage (kV)	3,6
2	Rated Current (A)	850
3	Lightning Impulse Withstand Voltage (BIL) (kV)	40
4	Power Frequency Withstand Voltage (kV)	dry 11 wet 10
5	Creepage Distance (mm)	125
6	Rated Thermal Short-time Current (2s) (kA)	15,03
7	Rated Dynamic Current (kA)	53,13
8	Minimum Cantilever Withstand Load (N)	1000

10	4	Brass Lock Nut
9	1	Brass Plain Washer
8	1	Internal Gasket "P"
7	1	Internal Gasket "O"
6	1	Flange Gasket "N"
5	1	Plain Gasket "M"
4	1	Brass Busbar
3	1	Copper Stem
2	1	Bottom Porcelain "B"
1	1	Top Porcelain "A"
POS.	PCS.	DESCRIPTION

***All dimensions are "mm"

Type	a	b	d1	d3	d4	d5	d6	d7	b1xt	b2	e2	x1	x2	h	Weight (-kg)
3 / 850A	204	340	M24x2	56	110	115	80	65	50x16	112	25	17	35	16	4,1

3 kV 1600 A
Flat Bar Bushing

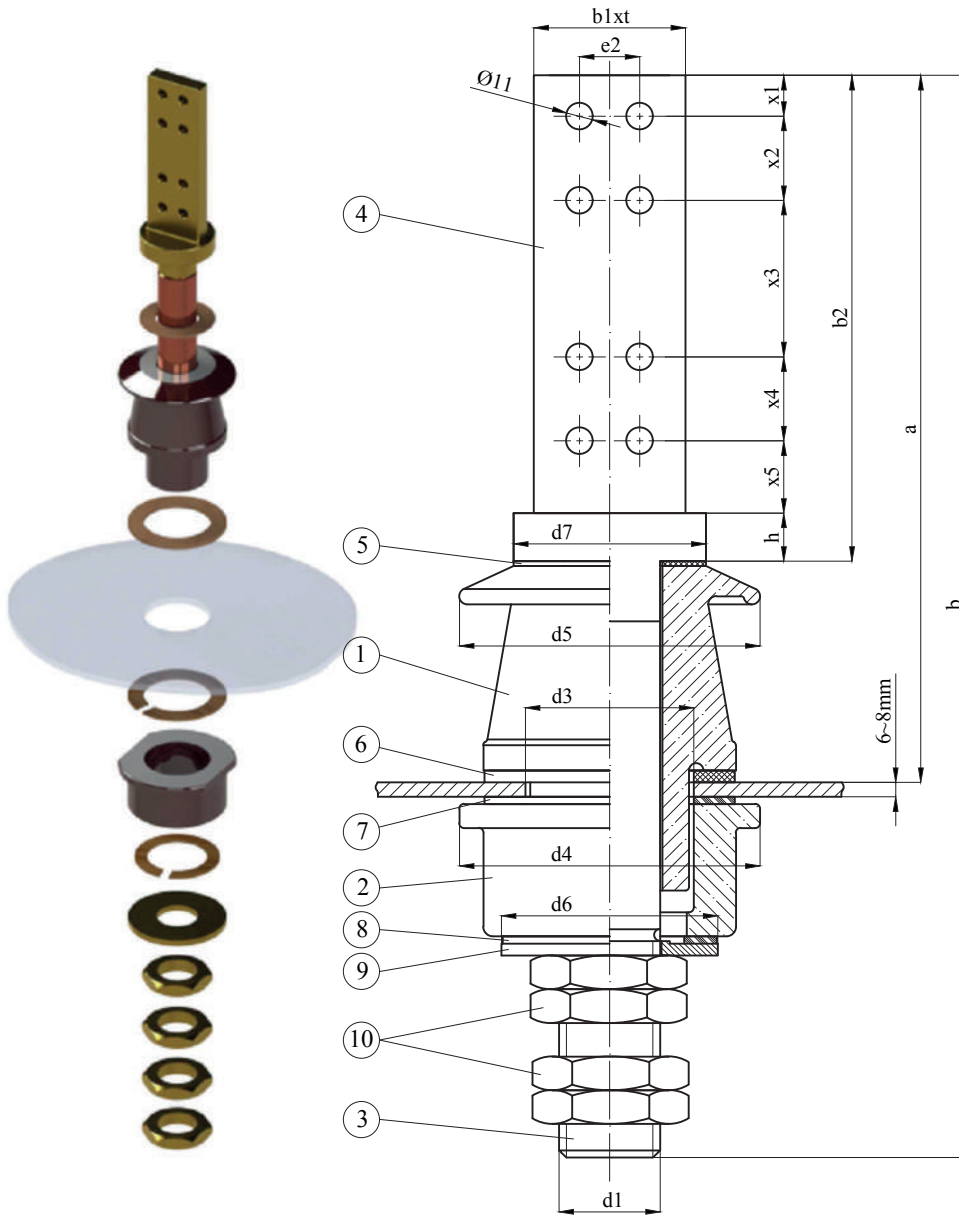


Insulation Levels acc. to IEC 60137:2017		
1	Highest Voltage (kV)	3,6
2	Rated Current (A)	1600
3	Lightning Impulse Withstand Voltage (BIL) (kV)	40
4	Power Frequency Withstand Voltage (kV)	dry 11 wet 10
5	Creepage Distance (mm)	125
6	Rated Thermal Short-time Current (2s) (kA)	28,28
7	Rated Dynamic Current (kA)	100
8	Minimum Cantilever Withstand Load (N)	1250

POS.	PCS.	DESCRIPTION
10	4	Brass Lock Nut
9	1	Brass Plain Washer
8	1	Internal Gasket "P"
7	1	Internal Gasket "O"
6	1	Flange Gasket "N"
5	1	Plain Gasket "M"
4	1	Brass Busbar
3	1	Copper Stem
2	1	Bottom Porcelain "B"
1	1	Top Porcelain "A"

***All dimensions are "mm"

Type	a	b	d1	d3	d4	d5	d6	d7	b1xt	b2	e2	x1	x2	h	Weight (-kg)
3 / 1600A	202	355	M36x2	70	125	125	95	80	50x16	112	25	17	35	16	6.5

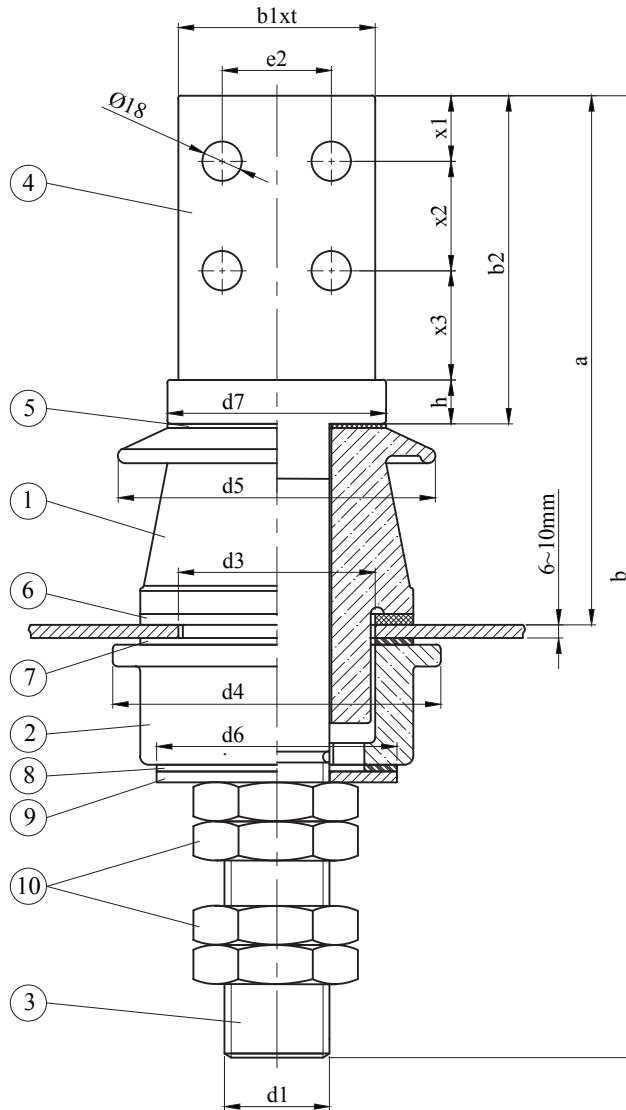
**3 kV 2500 A
Flat Bar Bushing**


Insulation Levels acc. to IEC 60137:2017		
1	Highest Voltage (kV)	3,6
2	Rated Current (A)	2500
3	Lightning Impulse Withstand Voltage (BIL) (kV)	40
4	Power Frequency Withstand Voltage (kV)	dry 11 wet 10
5	Creepage Distance (mm)	125
6	Rated Thermal Short-time Current (2s) (kA)	44,19
7	Rated Dynamic Current (kA)	156,25
8	Minimum Cantilever Withstand Load (N)	2000

10	4	Brass Lock Nut
9	1	Brass Closing Piece
8	1	Internal Gasket "P"
7	1	Internal Gasket "O"
6	1	Flange Gasket "N"
5	1	Plain Gasket "M"
4	1	Brass Busbar
3	1	Copper Stem
2	1	Bottom Porcelain "B"
1	1	Top Porcelain "A"
POS.	PCS.	DESCRIPTION

***All dimensions are "mm"

Type	a	b	d1	d3	d4	d5	d6	d7	b1xt	b2	e2	x1	x2	x3	x4	x5	h	Weight (-kg)
3 / 2500A	294	450	M42x3	70	125	125	90	80	63x20	202	25	17	35	65	35	30	20	9.2

**3 kV 3150 A
Flat Bar Bushing**


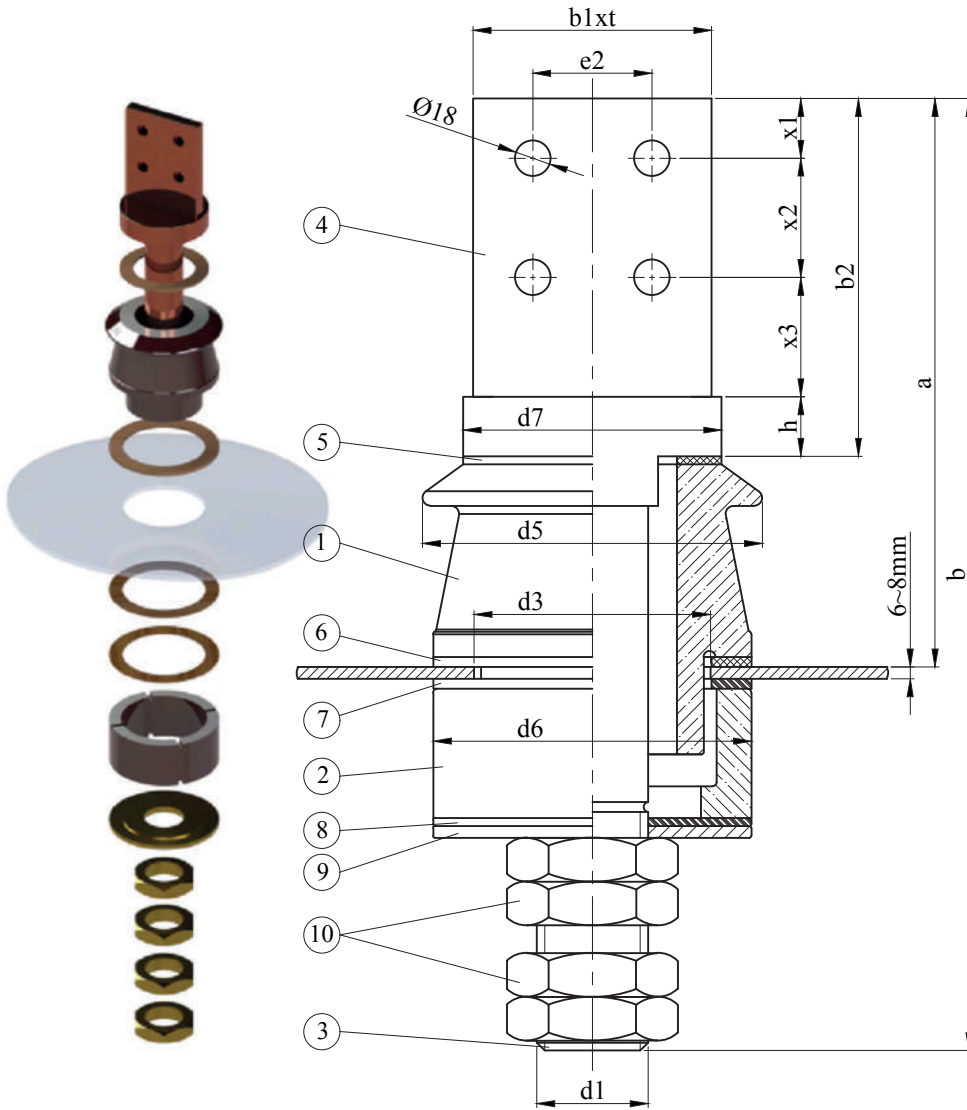
Insulation Levels acc. to IEC 60137:2017		
1	Highest Voltage (kV)	3,6
2	Rated Current (A)	3150
3	Lightning Impulse Withstand Voltage (BIL) (kV)	40
4	Power Frequency Withstand Voltage (kV)	dry 11 wet 10
5	Creepage Distance (mm)	125
6	Rated Thermal Short-time Current (2s) (kA)	55,68
7	Rated Dynamic Current (kA)	196,87
8	Minimum Cantilever Withstand Load (N)	3150

POS.	PCS.	DESCRIPTION
10	4	Brass Lock Nut
9	1	Brass Plain Washer
8	1	Internal Gasket "P"
7	1	Internal Gasket "O"
6	1	Flange Gasket "N"
5	1	Plain Gasket "M"
4	1	Copper Busbar
3	1	Copper Stem
2	1	Bottom Porcelain "B"
1	1	Top Porcelain "A"

***All dimensions are "mm"

Type	a	b	d1	d3	d4	d5	d6	d7	b1xt	b2	e2	x1	x2	x3	h	Weight (-kg)
3 / 3150A	242	440	M48x3	90	150	145	100	100	90x20	150	50	30	50	50	20	13

3 kV 4500 A
Flat Bar Bushing

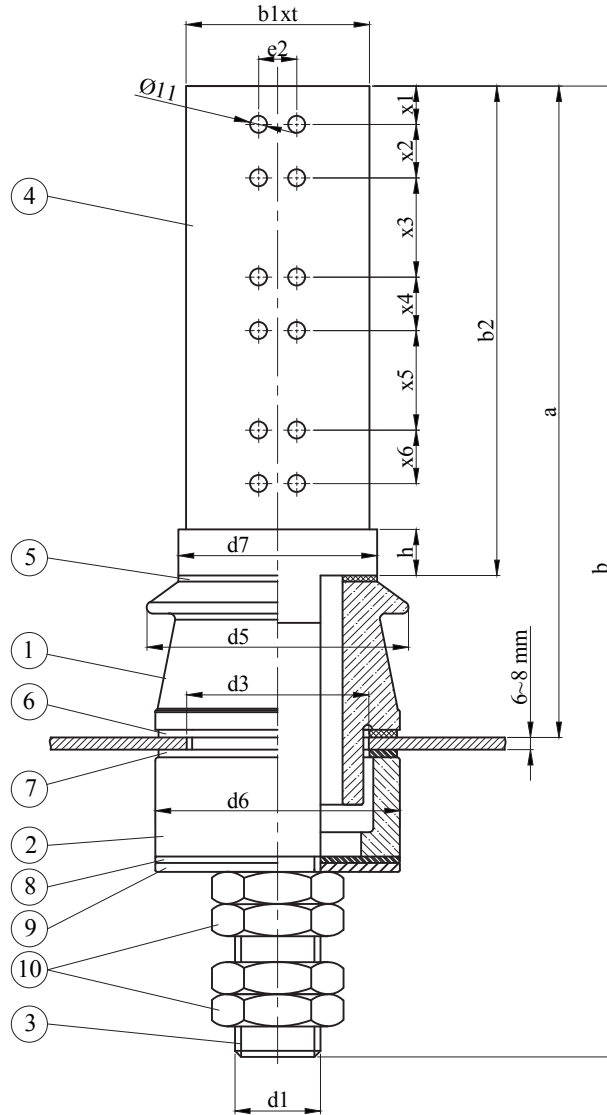


Insulation Levels acc. to IEC 60137:2017		
1	Highest Voltage (kV)	3,6
2	Rated Current (A)	4500
3	Lightning Impulse Withstand Voltage (BIL) (kV)	40
4	Power Frequency Withstand Voltage (kV)	dry 11 wet 10
5	Creepage Distance (mm)	130
6	Rated Thermal Short-time Current (2s) (kA)	70,71
7	Rated Dynamic Current (kA)	250
8	Minimum Cantilever Withstand Load (N)	3150

POS.	PCS.	DESCRIPTION
10	4	Brass Lock Nut
9	1	Brass Plain Washer
8	1	Internal Gasket "P"
7	1	Internal Gasket "O"
6	1	Flange Gasket "N"
5	1	Plain Gasket "M"
4	1	Copper Busbar
3	1	Copper Stem
2	1	Bottom Porcelain "B"
1	1	Top Porcelain "A"

***All dimensions are "mm"

Type	a	b	d1	d3	d5	d6	d7	b1xt	b2	e2	x1	x2	x3	h	Weight (-kg)
3 / 4500A	287	479	M56x4	119	171	160	130	120x20	180	60	30	60	60	30	21

**3 kV 4500 A
Flat Bar Bushing**

Insulation Levels acc. to IEC 60137:2017

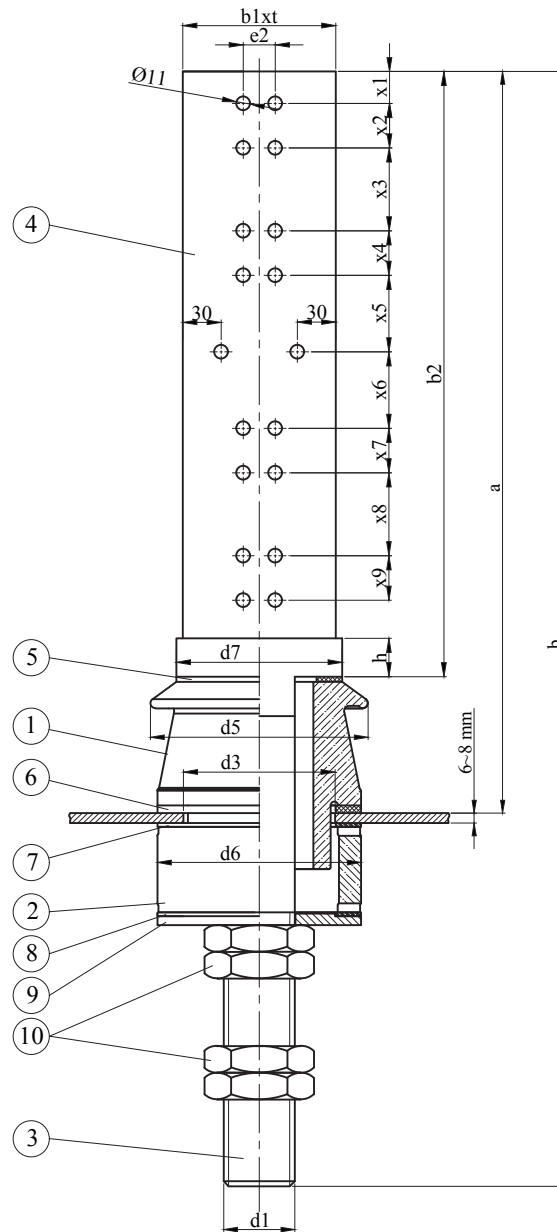
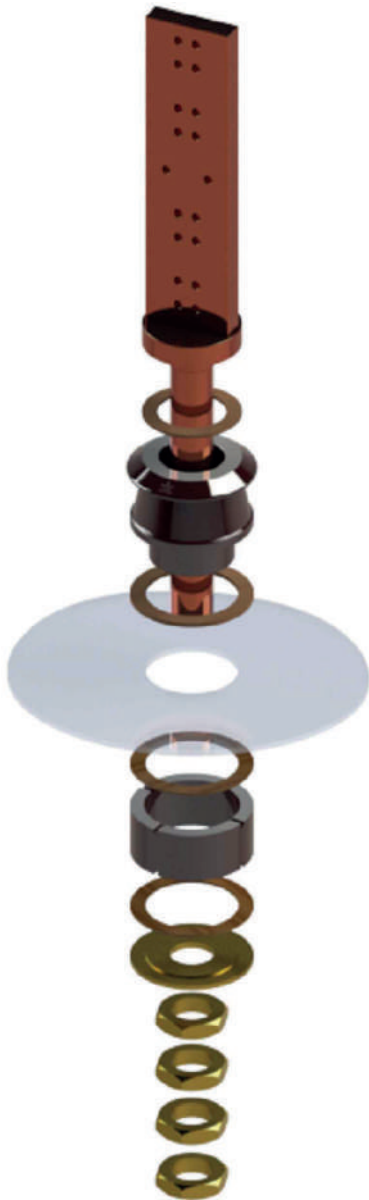
1	Highest Voltage (kV)	3,6
2	Rated Current (A)	4500
3	Lightning Impulse Withstand Voltage (BIL) (kV)	40
4	Power Frequency Withstand Voltage (kV)	dry 11 wet 10
5	Creepage Distance (mm)	130
6	Rated Thermal Short-time Current (2s) (kA)	70,71
7	Rated Dynamic Current (kA)	250
8	Minimum Cantilever Withstand Load (N)	3150

10	4	Brass Lock Nut
9	1	Brass Plain Washer
8	1	Internal Gasket "P"
7	1	Internal Gasket "O"
6	1	Flange Gasket "N"
5	1	Plain Gasket "M"
4	1	Copper Busbar
3	1	Copper Stem
2	1	Bottom Porcelain "B"
1	1	Top Porcelain "A"
POS.	PCS.	DESCRIPTION

***All dimensions are "mm"

Type	a	b	d1	d3	d5	d6	d7	b1xt	b2	e2	x1	x2	x3	x4	x5	x6	h	Weight (-kg)
3 / 4500A	427	635	M56x4	119	171	160	130	120x20	320	25	25	35	65	35	65	35	30	24.2

3 kV 6300 A Flat Bar Bushing



Insulation Levels acc. to IEC 60137:2017		
1	Highest Voltage (kV)	3,6
2	Rated Current (A)	6300
3	Lightning Impulse Withstand Voltage (BIL) (kV)	40
4	Power Frequency Withstand Voltage (kV)	dry 11 wet 10
5	Creepage Distance (mm)	130
6	Rated Thermal Short-time Current (2s) (kA)	70,71
7	Rated Dynamic Current (kA)	250
8	Minimum Cantilever Withstand Load (N)	3150

POS.	PCS.	DESCRIPTION
10	4	Brass Lock Nut
9	1	Brass Plain Washer
8	1	Internal Gasket "P"
7	1	Internal Gasket "O"
6	1	Flange Gasket "N"
5	1	Plain Gasket "M"
4	1	Copper Busbar
3	1	Copper Stem
2	1	Bottom Porcelain "B"
1	1	Top Porcelain "A"

***All dimensions are "mm"

Type	a	b	d1	d3	d5	d6	d7	b1xt	b2	e2	x1	x2	x3	x4	x5	x6	x7	x8	x9	h	Weight (kg)
3 / 6300A	582	875	M56x4	119	171	160	130	120x30	475	25	25	35	65	35	60	60	35	65	35	30	34