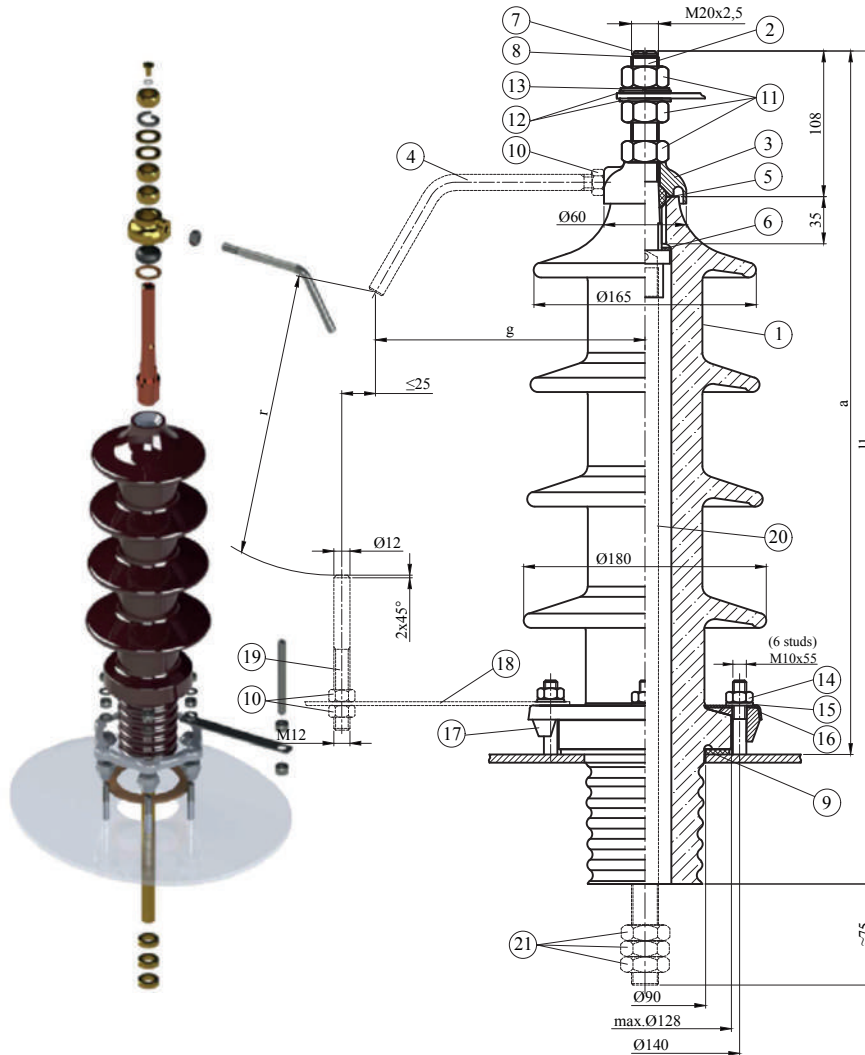


36 kV 630 A  
DIN 42532 Outdoor Transformer Bushing



Insulation Levels acc. to IEC 60137:2017		
1	Highest Voltage (kV)	36
2	Rated Current (A)	630
3	Lightning Impulse Withstand Voltage (BIL) (kV)	170
4	Power Frequency Withstand Voltage (kV)	dry 77 wet 70
5	Creepage Distance (mm)	600
6	Rated Thermal Short-time Current (2s) (kA)	11,14
7	Rated Dynamic Current (kA)	39,37
8	Minimum Cantilever Withstand Load (N)	1000

Type	Class			a	r	g	ll
	Outdoor (f)	Indoor (i)					
30 Nf 630	30N	-		522	220	200	618

Optional	POS.	PCS.	NAME OF THE MATERIAL	DESCRIPTION
	21	3	Brass Lock Nut	DIN 936
	20	1	Stem (Copper or Brass)	30 Nf DIN 42532
	19	1	Bottom Arcing Horn	30 Nf DIN 42532
	18	1	I Bracket	30 Nf DIN 42532
	10	3	Nuts	M12 DIN 934
	4	1	Top Arcing Horn	"K3" DIN 42532

	17	6	Alu-Clamping	"E" DIN 42538
	16	1	Fixing Ring	"B" DIN 42538
	15	6	Washer	10,5 DIN 125
	14	6	Nuts	M10 DIN 934
	13	1	Spring Washer	DIN 127
	12	2	Brass Washer	DIN 125-MS
	11	3	Brass Nuts	M20 DIN 934-MS
	9	1	Flange Gasket	"N" DIN 42532
	8	1	Packing	"F" DIN 42532
	7	1	Exhaust Screw	"T" DIN 42532
	6	1	Internal Gasket	"O" DIN 42532
	5	1	Sealing Ring Gasket	"J" DIN 42532
	3	1	Brass Cap	"E" DIN 42532
	2	1	Copper Bolt	"D" DIN 42532
	1	1	Porcelain	30 Nf DIN 42532
POS.	PCS.		NAME OF THE MATERIAL	DESCRIPTION