

Alüminyum Kelebek Vana
DN 76 / 80 / 100 / yağ ve vakum sızdırmazlık

Aluminium Radiator Valve
DN 76 / 80 / 100 / Oil- and Vacuumtight

DN 76



DN 80



DN 100



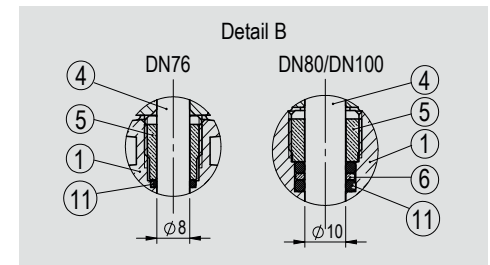
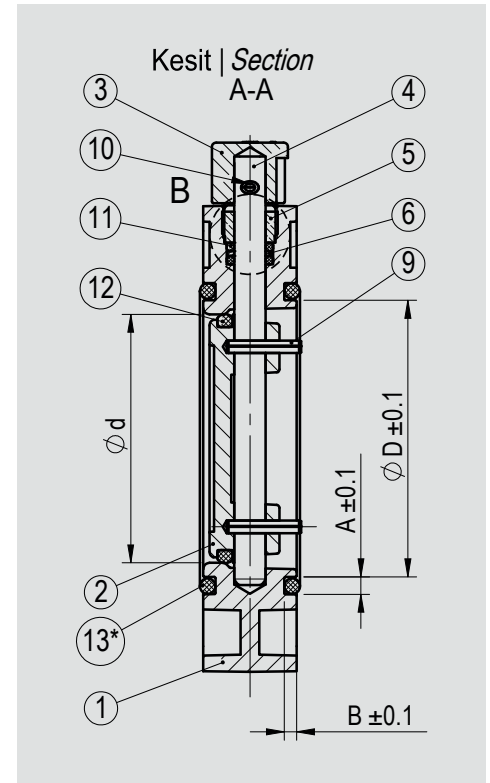
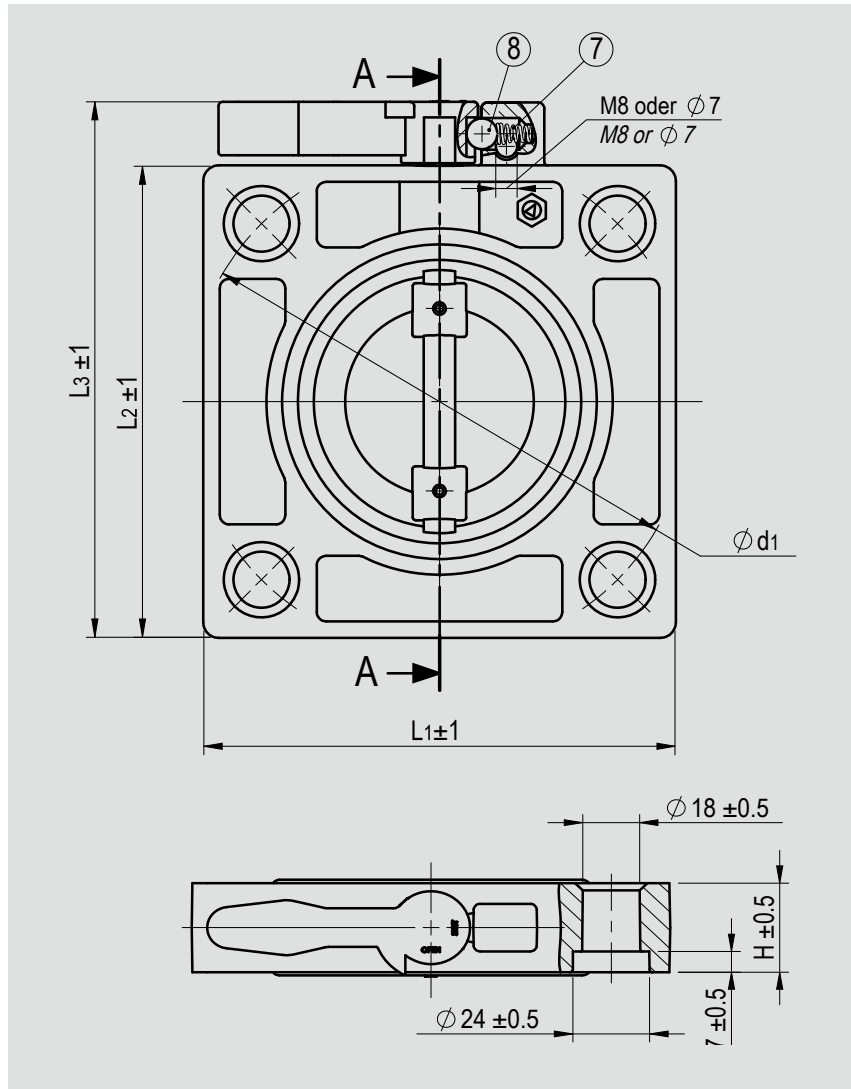
Montaj
Assembling



Alüminyum Kelebek Vana DN 76 / 80 / 100 / yağ ve vakum sızdırmazlık

Aluminium Radiator Valve

DN 76 / 80 / 100 / Oil- and Vacuumtight



Art.Nr. Code No.	DN	$\varnothing d$	$\varnothing d_1$	L ₁	L ₂	L ₃	H	$\varnothing D$	A	B	Pos. 13* Item 13*
A 430 076 000	76	76	125	125	125	145	24	84	5.6	3.9	84 x 5
A 430 080 000	80	80	160	150	150	170	30	89	5.6	3.9	90 x 5
A 430 080 100	80	80	160	150	150	170	30	99	5.6	3.9	100 x 5.33
A 430 080 200	80	80	160	150	150	170	30	94.2	5.6	3.9	95 x 5
A 430 100 000	100	102	170	150	150	170	32	123.5	5.6	3.9	123.19 x

Alüminyum Kelebek Vana DN 76 / 80 / 100 / yağ ve vakum sızdırmazlık

Aluminium Radiator Valve

DN 76 / 80 / 100 / Oil- and Vacuumtight

Pos. Item	Tanım Descriptions	Notlar Remarks	Miktar Q'ty		
			DN76	DN80	DN100
1	Flanş flange	G-AISI12Cu	1	1	1
2	Kelebek clap	G-AISI12Cu	1	1	1
3	Kol handle	G-AISI12Cu	1	1	1
4	Saplama spindle	X8CrNi18-9 (1.4305) AISI 303	1	1	1
5	Baskı mekanizması ve somun thrust screw	CuZn39Pb3 (CW614N)	1	1	1
6	Pirinç pul washer	CuZn39Pb3 (CW614N)	-	1	1
7	Yay helical spring	X10CrNi18-8 (1.4310) AISI 301	1	1	1
8	Misket ball	X20Cr13 (1.4021) AISI 420	1	1	1
9	Yarıklı pim dowel pin	X10CrNi18-8 (1.4310) AISI 301	2	2	2
10	Yarıklı pim dowel pin	X10CrNi18-8 (1.4310) AISI 301	1	1	1
11	O-Ring O-ring	NBR	1	-	-
		Viton (FKM)	-	2	2
12	O-Ring O-ring	NBR / Viton (FKM)	1	1	1
*Talep üzerine upon request					
13*	O-Ring O-ring	NBR / Viton (FKM)	2	2	2
14*	Saplama bolt	X8CrNi18-9 (1.4305) AISI 303	4	4	4

