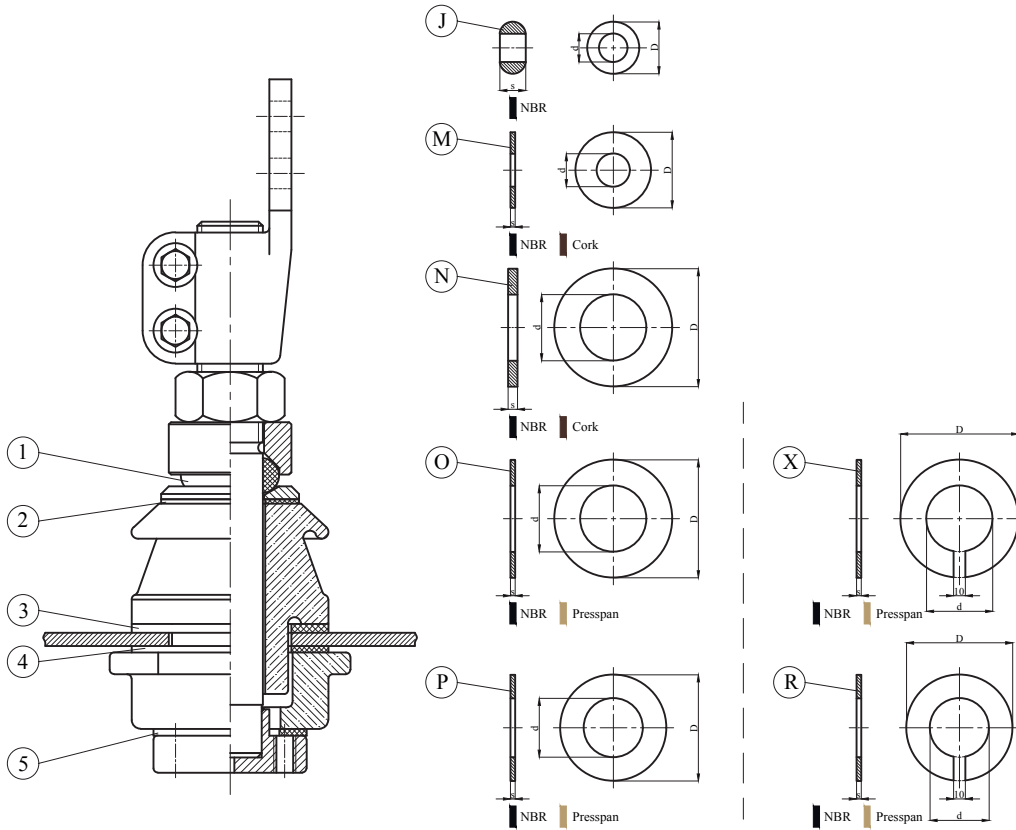


Gaskets for Low Voltage
1 ÷ 3 kV 250 A ÷ 3150 A



CLASS	POS.	PCS.	DESCRIPTION	D	d	s
1-3 kv 250 A	1	1	Ring Gasket "J"	22	12	11
	2	1	Plain Gasket "M"	32	14	2
	3	1	Flange Gasket "N" 1 / 250	50	28	5
			Flange Gasket "N" 3 / 250	60	38	6
	4	1	Internal Gasket "O" 1 / 250	50	28	2
			Internal Gasket "O" 3 / 250	60	38	2
5	1	Internal Gasket "P"	45	25	2	

CLASS	POS.	PCS.	DESCRIPTION	D	d	s
1-3 kv 630 A	1	1	Ring Gasket "J"	32	20	13
	2	1	Plain Gasket "M"	45	22	2
	3	1	Flange Gasket "N"	70	45	5
	4	1	Internal Gasket "O"	70	45	2
	5	1	Internal Gasket "P"	63	40	2

***All dimensions are "mm"

Gaskets for Low Voltage
1 ÷ 3 kV 250 A ÷ 3150 A

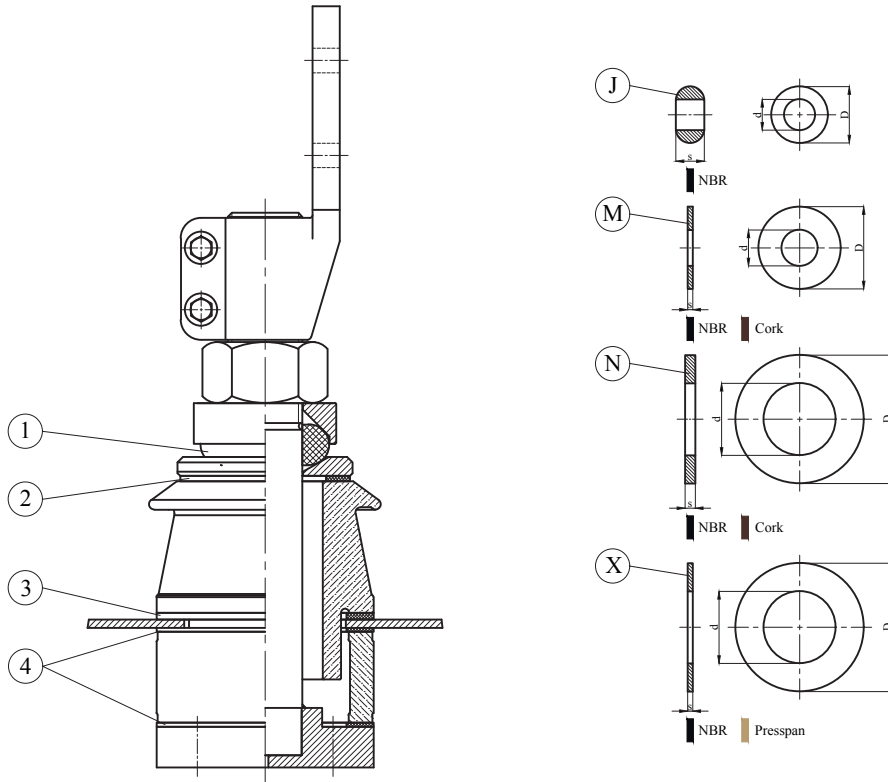
CLASS	POS.	PCS.	DESCRIPTION	D	d	s
1-3 kv 1000 A	1	1	Ring Gasket "J"	45	30	16
	2	1	Plain Gasket "M"	65	32	2
	3	1	Flange Gasket "N"	90	56	5 6
	4	1	Internal Gasket "X"	90	56	3
	5	1	Internal Gasket "R"	70	45	3

CLASS	POS.	PCS.	DESCRIPTION	D	d	s
1-3 kv 2000 A	1	1	Ring Gasket "J"	59	42	18
	2	1	Plain Gasket "M"	80	45	2
	3	1	Flange Gasket "N"	104	70	5 6
	4	1	Internal Gasket "X"	104	70	3
	5	1	Internal Gasket "R"	90	63	3

CLASS	POS.	PCS.	DESCRIPTION	D	d	s
1-3 kv 3150 A	1	1	Ring Gasket "J"	65	48	18
	2	1	Plain Gasket "M"	90	50	2
	3	1	Flange Gasket "N"	125	90	5 6
	4	1	Internal Gasket "X"	125	90	3
	5	1	Internal Gasket "R"	110	80	3

***All dimensions are "mm"

Gaskets for Low Voltage
3 kV 4500 A - 6300 A

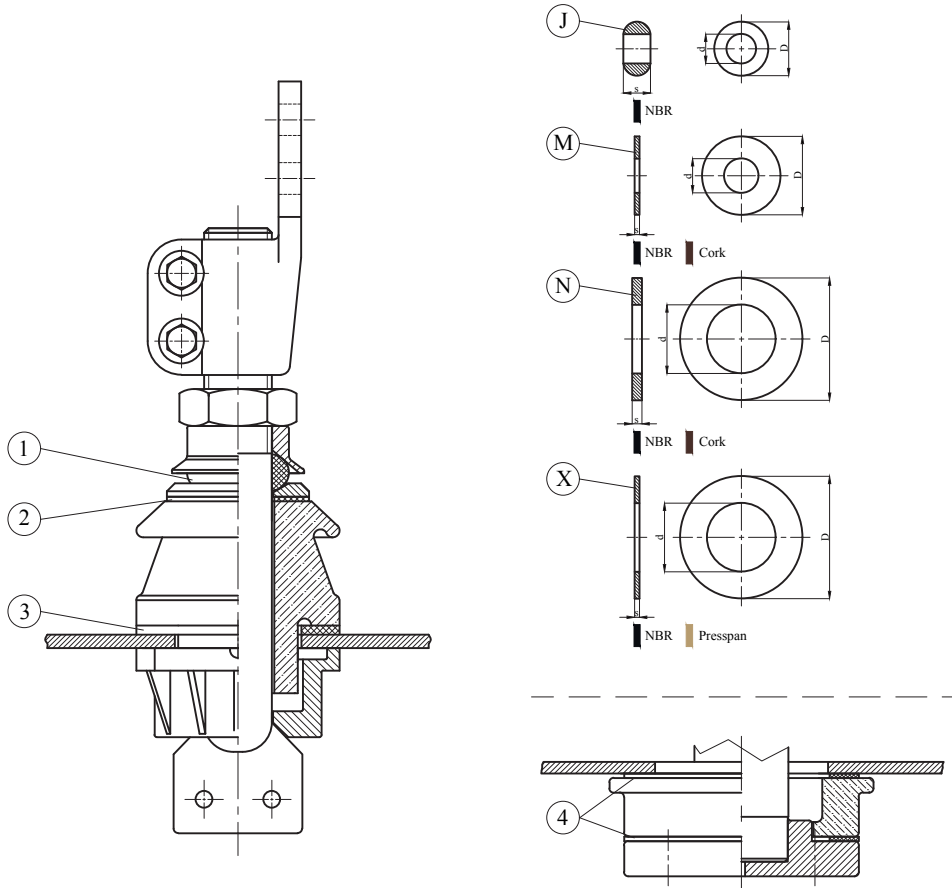


CLASS	POS.	PCS.	DESCRIPTION	D	d	s
3 kv 4500 A	1	1	Ring Gasket "J"	95	55	30
	2	1	Plain Gasket "M"	125	90	4
	3	1	Flange Gasket "N"	160	120	5 6
	4	2	Internal Gasket "X"	160	120	3

CLASS	POS.	PCS.	DESCRIPTION	D	d	s
3 kv 6300 A	1	1	Ring Gasket "J"	115	75	30
	2	1	Plain Gasket "M"	125	90	4
	3	1	Flange Gasket "N"	160	120	5 6
	4	2	Internal Gasket "X"	160	120	3

***All dimensions are "mm"

Gaskets for Low Voltage
1 kV 250 A ÷ 5000 A (EN Type)



CLASS	POS.	PCS.	DESCRIPTION	D	d	s
1 kv 250 A	1	1	Ring Gasket "J"	22	12	11
	3	1	Flange Gasket "N"	50	28	5 6

CLASS	POS.	PCS.	DESCRIPTION	D	d	s
1 kv 630 A	1	1	Ring Gasket "J"	32	20	13
	3	1	Flange Gasket "N"	70	45	5 6

CLASS	POS.	PCS.	DESCRIPTION	D	d	s
1 kv 1000 A 1250 A	1	1	Ring Gasket "J"	45	30	16
	2	1	Plain Gasket "M"	65	32	2
	3	1	Flange Gasket "N"	90	56	5 6

CLASS	POS.	PCS.	DESCRIPTION	D	d	s
1 kv 1800 A 2000 A	1	1	Ring Gasket "J"	59	42	18
	2	1	Plain Gasket "M"	80	45	2
	3	1	Flange Gasket "N"	104	70	5 6

***All dimensions are "mm"

Gaskets for Low Voltage
1 kV 250 A ÷ 5000 A (EN Type)

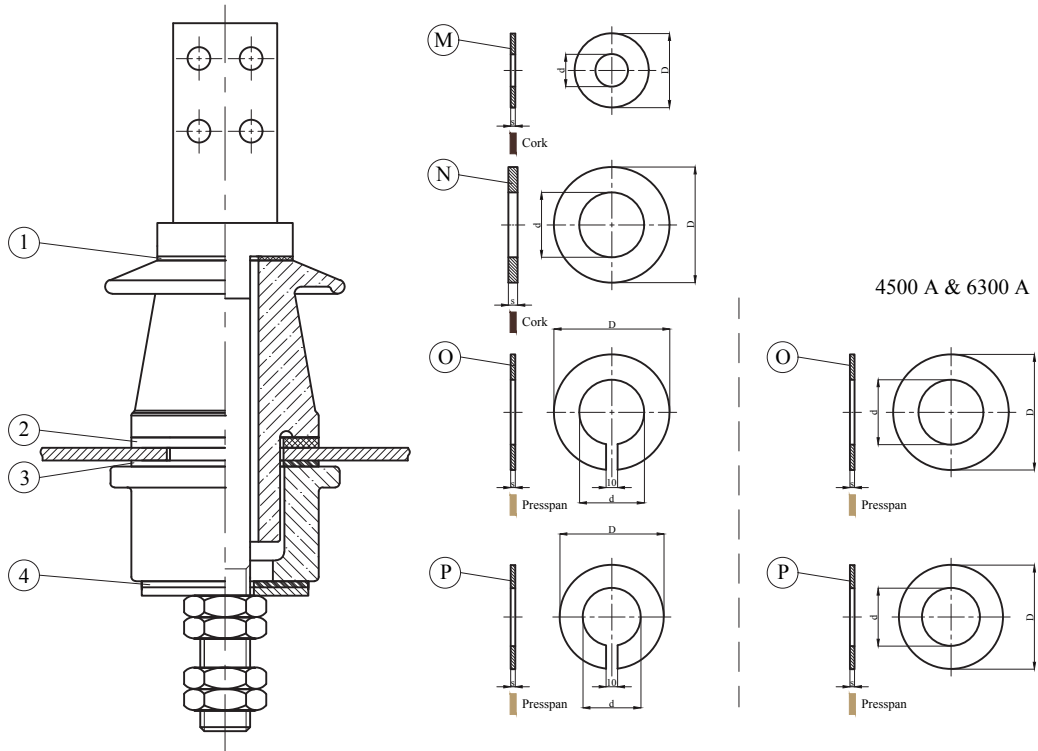
CLASS	POS.	PCS.	DESCRIPTION	D	d	s
1 kv 3150 A	1	1	Ring Gasket "J"	65	48	18
	2	1	Plain Gasket "M"	90	50	2
	3	1	Flange Gasket "N"	125	90	5 6

CLASS	POS.	PCS.	DESCRIPTION	D	d	s
1 kv 4000 A	1	1	Ring Gasket "J"	95	55	30
	2	1	Plain Gasket "M"	125	56	2
	3	1	Flange Gasket "N"	160	120	5 6

CLASS	POS.	PCS.	DESCRIPTION	D	d	s
1 kv 5000 A	1	1	Ring Gasket "J"	105	64	30
	2	1	Plain Gasket "M"	112	56	4
	3	1	Flange Gasket "N"	160	120	5 6

CLASS	POS.	PCS.	DESCRIPTION	D	d	s
1 kv 5000 A	1	1	Ring Gasket "J"	105	64	30
	2	1	Plain Gasket "M"	125	90	3
	3	1	Flange Gasket "N"	160	120	5 6
	4	2	Internal Gasket "X"	160	120	3

Gaskets for Flat Bar Bushing
3 kV 850 A ÷ 6300 A



CLASS	POS.	PCS.	DESCRIPTION	D	d	s
3 kv 850 A	1	1	Plain Gasket "M"	65	32	2
	2	1	Flange Gasket "N"	90	56	5
	3	1	Internal Gasket "O"	90	56	3
	4	1	Internal Gasket "P"	80	27	3

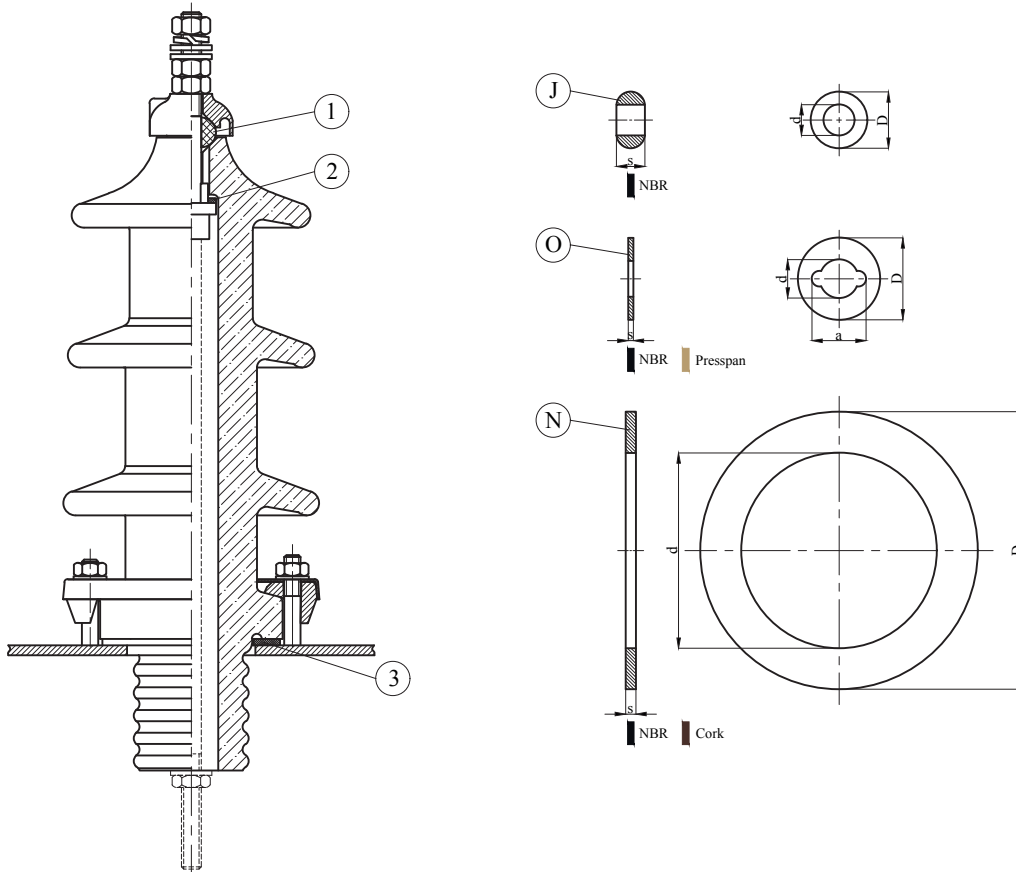
CLASS	POS.	PCS.	DESCRIPTION	D	d	s
3 kv 1600 A 2500 A	1	1	Plain Gasket "M"	80	45	2
	2	1	Flange Gasket "N"	104	70	5
	3	1	Internal Gasket "O"	104	70	3
	4	1	Internal Gasket "P"	90	63	3

CLASS	POS.	PCS.	DESCRIPTION	D	d	s
3 kv 3150 A	1	1	Plain Gasket "M"	100	50	2
	2	1	Flange Gasket "N"	125	90	5
	3	1	Internal Gasket "O"	125	90	3
	4	1	Internal Gasket "P"	110	80	3

CLASS	POS.	PCS.	DESCRIPTION	D	d	s
3 kv 4500 A 6300 A	1	1	Plain Gasket "M"	130	90	4
	2	1	Flange Gasket "N"	160	120	6
	3	1	Internal Gasket "O"	160	120	3
	4	1	Internal Gasket "P"	160	120	3

***All dimensions are "mm"

Gaskets for High Voltage
12 ÷ 36 kV 250 A - 630 A

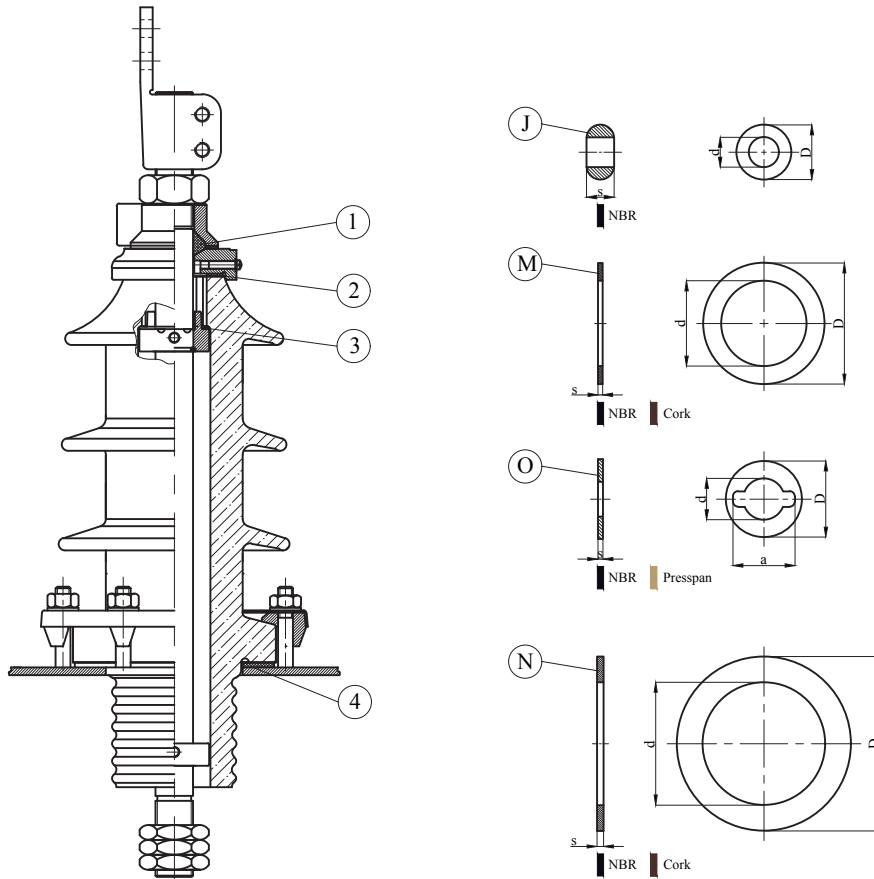


CLASS	POS.	PCS.	DESCRIPTION	D	d	s	a
12 ÷ 36 kV 250 A	1	1	Ring Gasket "J"	30	12	18	-
	2	1	Internal Gasket "O"	32	15	2	21
	3	1	Flange Gasket "N"	108	76	5 6	-

CLASS	POS.	PCS.	DESCRIPTION	D	d	s	a
12 ÷ 36 kV 630 A	1	1	Ring Gasket "J"	38	20	18	-
	2	1	Internal Gasket "O"	38	24	2	29
	3	1	Flange Gasket "N"	125	90	5 6	-

***All dimensions are "mm"

Gaskets for High Voltage
12 ÷ 36 kV 1000 A - 4500 A



CLASS	POS.	PCS.	DESCRIPTION	D	d	s	a	
12 - 36 kV 1000 A	1	1	Ring Gasket "J"	54	30	24	-	■
	2	1	Plain Gasket "M"	80	36	2	-	■ ■
	3	1	Internal Gasket "O"	56	32	2	48	■ ■ ■
	4	1	Flange Gasket "N"	160	110	$\frac{5}{6}$	-	■ ■ ■

CLASS	POS.	PCS.	DESCRIPTION	D	d	s	a	
12 - 36 kV 2000 A	1	1	Ring Gasket "J"	66	42	24	-	■
	2	1	Plain Gasket "M"	100	50	2	-	■ ■
	3	1	Internal Gasket "O"	70	50	2	62	■ ■ ■
	4	1	Flange Gasket "N"	180	135	$\frac{5}{6}$	-	■ ■ ■

***All dimensions are "mm"

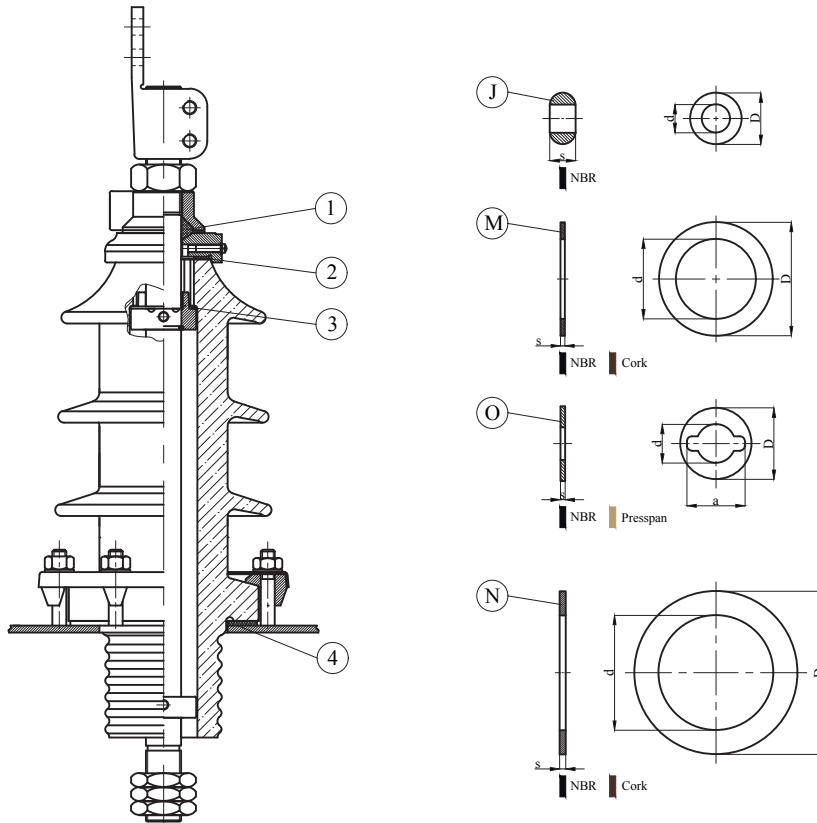
Gaskets for High Voltage
12 ÷ 36 kV 1000 A - 4500 A

CLASS	POS.	PCS.	DESCRIPTION	D	d	s	a
12 ÷ 36 kV 3150 A	1	1	Ring Gasket "J"	72	48	24	-
	2	1	Plain Gasket "M"	100	50	2	-
	3	1	Internal Gasket "O"	70	50	2	62
	4	1	Flange Gasket "N"	180	135	5 6	-

CLASS	POS.	PCS.	DESCRIPTION	D	d	s	a
12 ÷ 36 kV 4500 A	1	1	Ring Gasket "J"	95	55	30	-
	2	1	Plain Gasket "M"	104	70	3	-
	3	1	Internal Gasket "O"	70	58	2	65,5
	4	1	Flange Gasket "N"	180	135	5 6	-

***All dimensions are "mm"

Gaskets for High Voltage
52 kV 250 A ÷ 3150 A



CLASS	POS.	PCS.	DESCRIPTION	D	d	s	a
52 kV 250 A ÷ 1000 A	1	1	Ring Gasket "J"	54	30	24	-
	2	1	Plain Gasket "M"	100	50	2	-
	3	1	Internal Gasket "O"	70	50	2	62
	4	1	Flange Gasket "N"	180	135	5 6	-

CLASS	POS.	PCS.	DESCRIPTION	D	d	s	a
52 kV 2000 A	1	1	Ring Gasket "J"	66	42	24	-
	2	1	Plain Gasket "M"	100	50	2	-
	3	1	Internal Gasket "O"	70	50	2	62
	4	1	Flange Gasket "N"	180	135	5 6	-

CLASS	POS.	PCS.	DESCRIPTION	D	d	s	a
12 ÷ 36 kV 3150 A	1	1	Ring Gasket "J"	72	48	24	-
	2	1	Plain Gasket "M"	100	50	2	-
	3	1	Internal Gasket "O"	70	50	2	62
	4	1	Flange Gasket "N"	180	135	5 6	-

***All dimensions are "mm"